

FIG. 1 OF 2

+

1/23

42

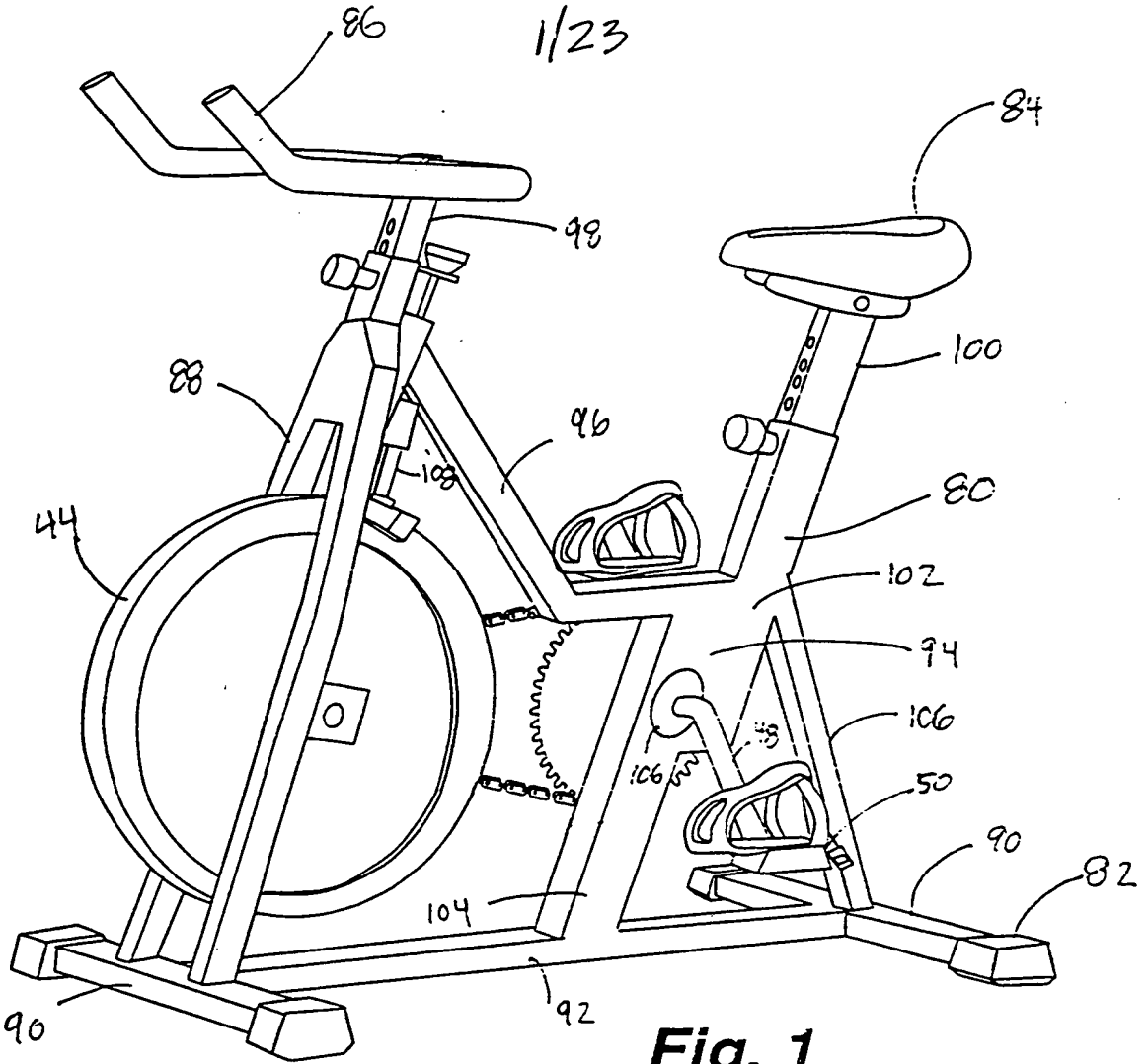


Fig. 1

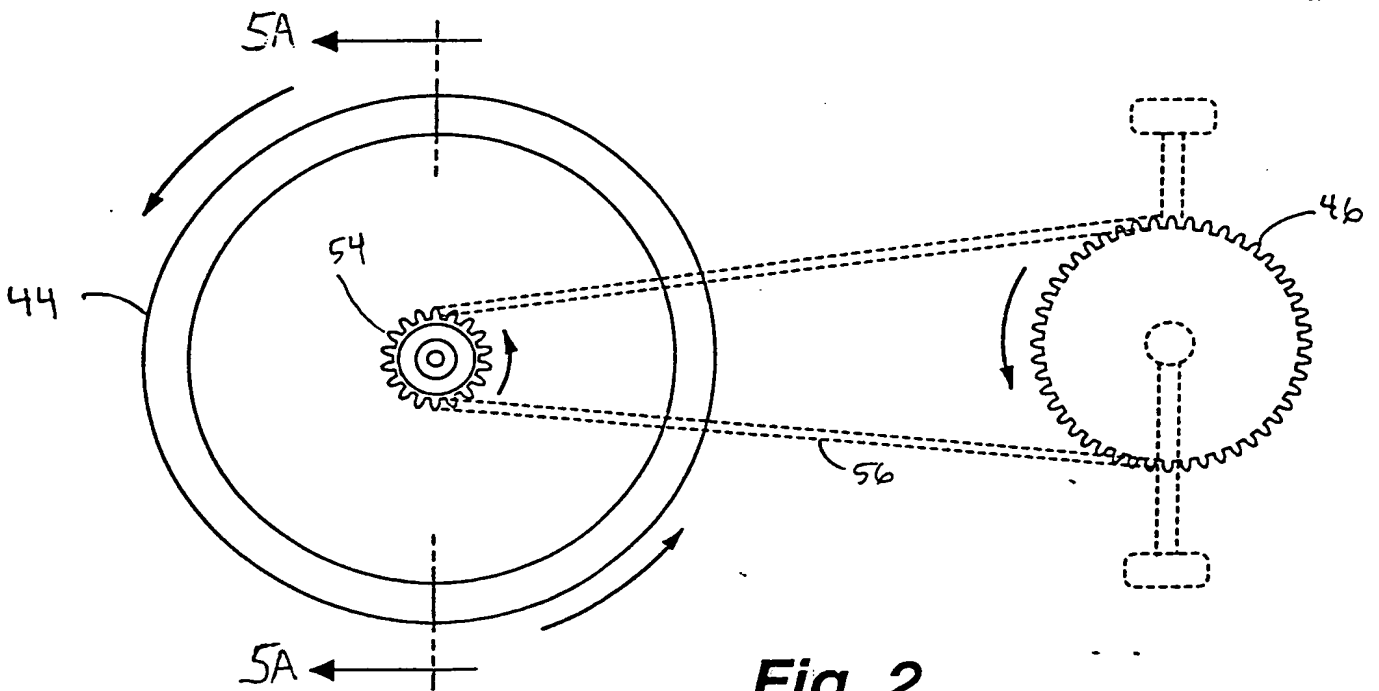


Fig. 2

⊥

FIG. 4 OF 9,086,000

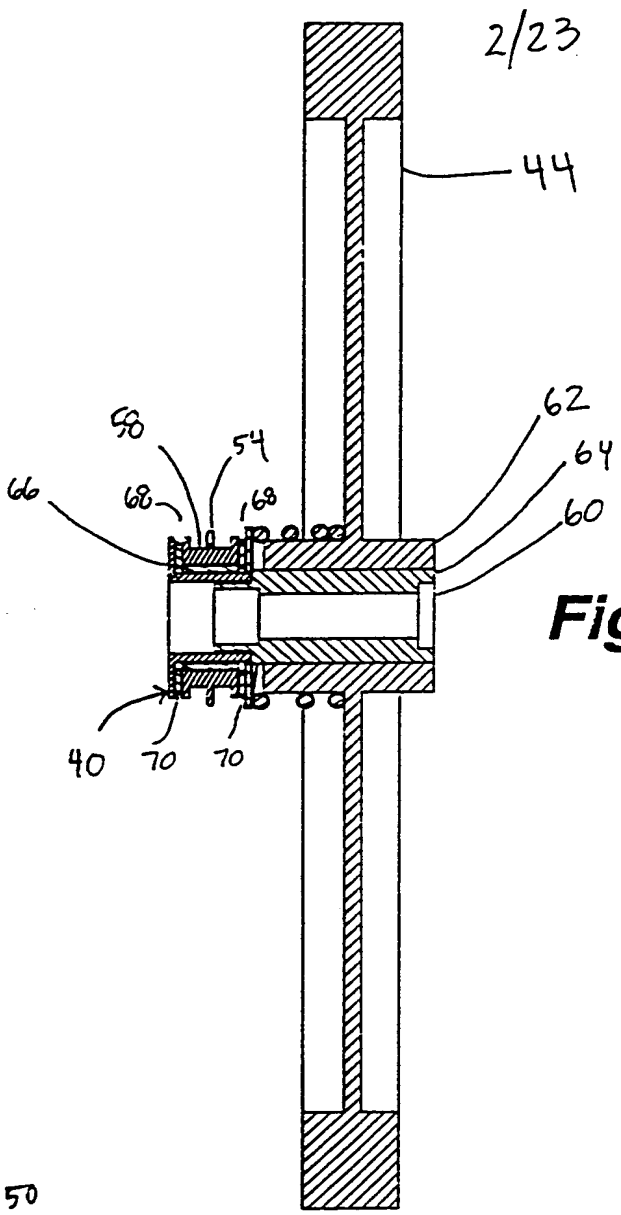


Fig. 4

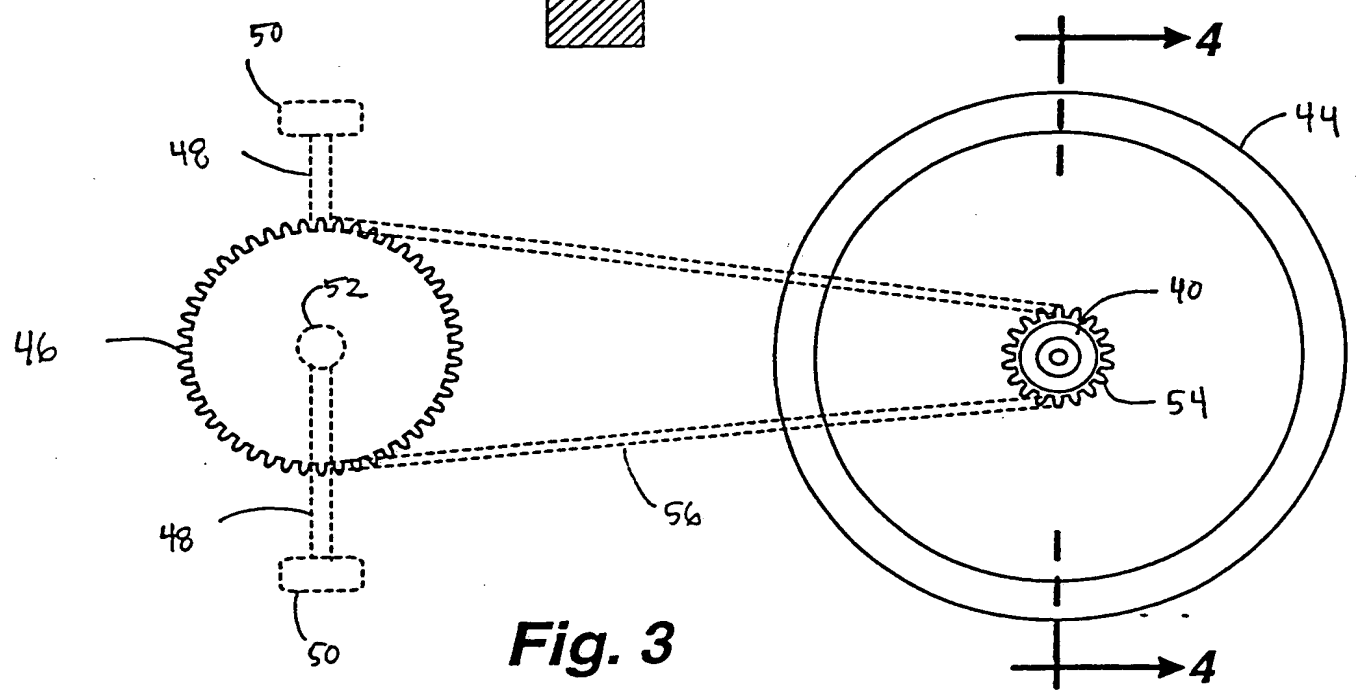


Fig. 3



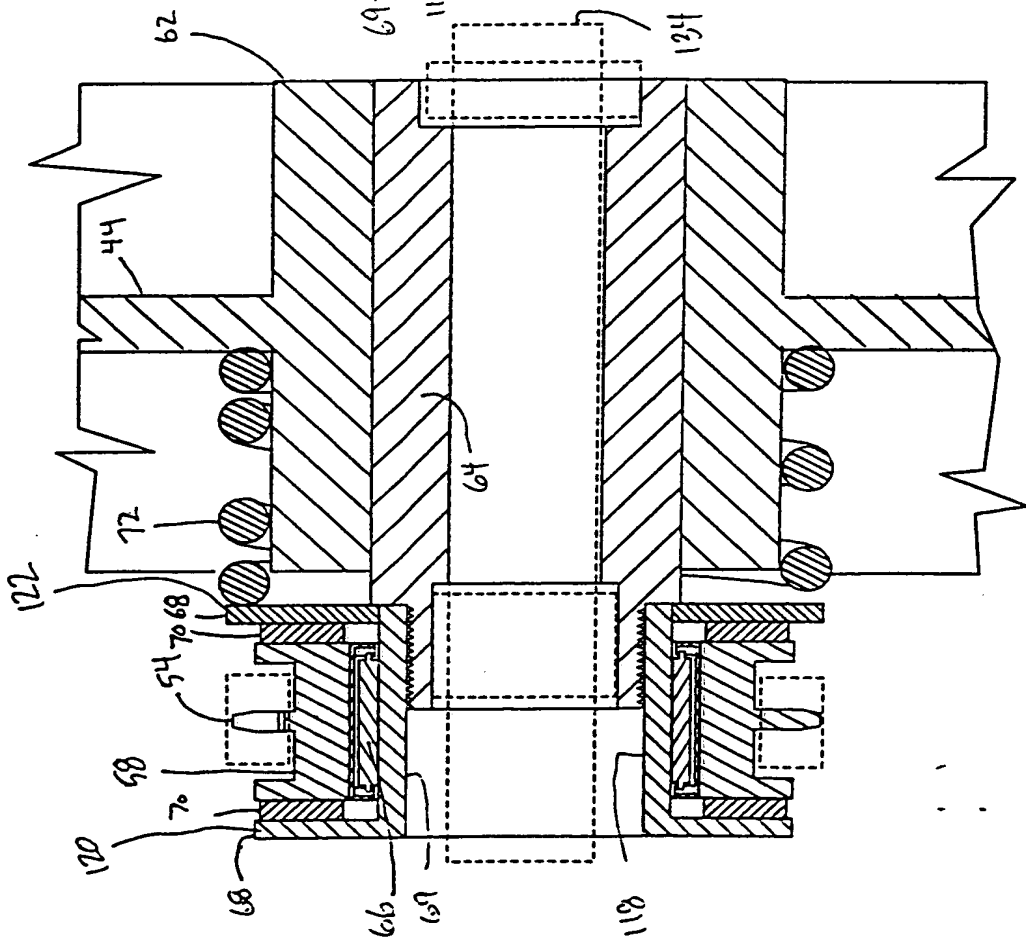


Fig. 5A

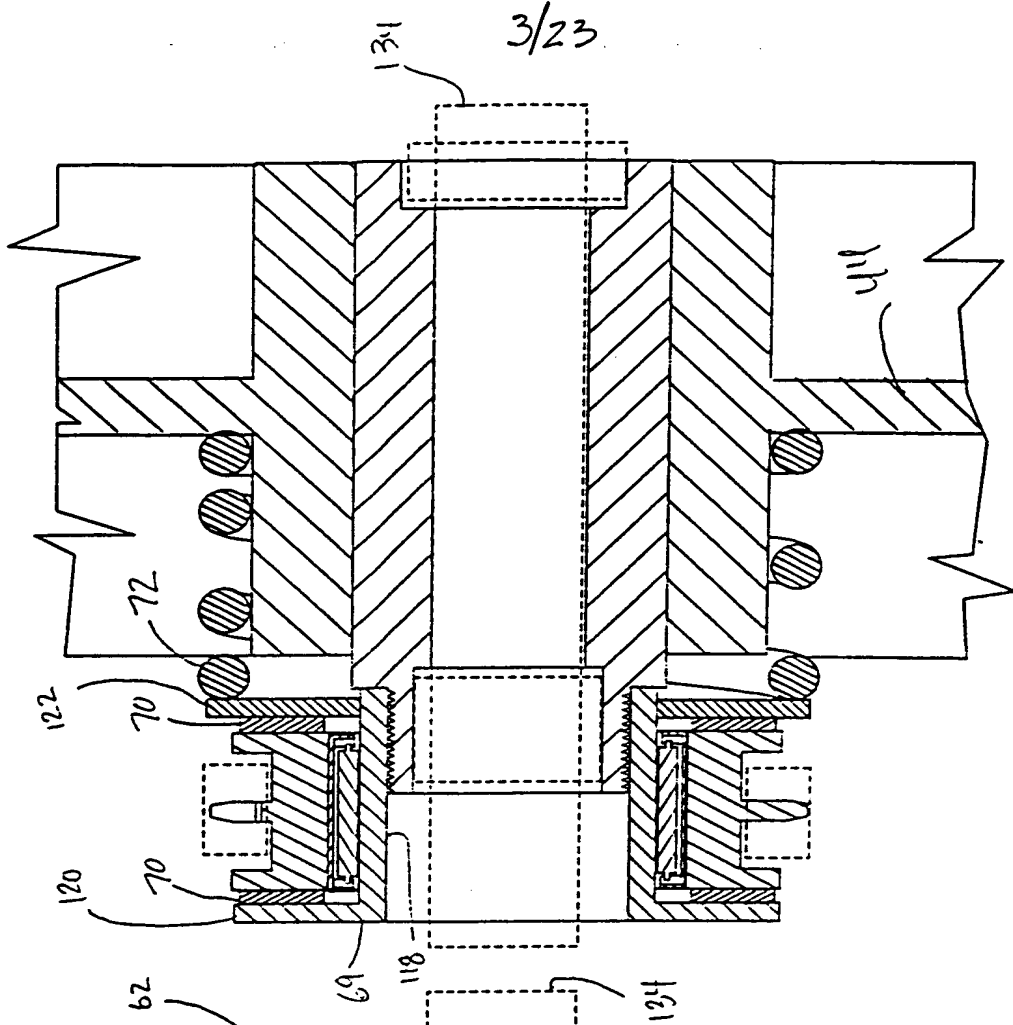


Fig. 5B



3/23

134

44

122

72

70

120

70

62

69

118

134

122

72

70

120

70

68

54

58

68

64

66

69

118

4/23

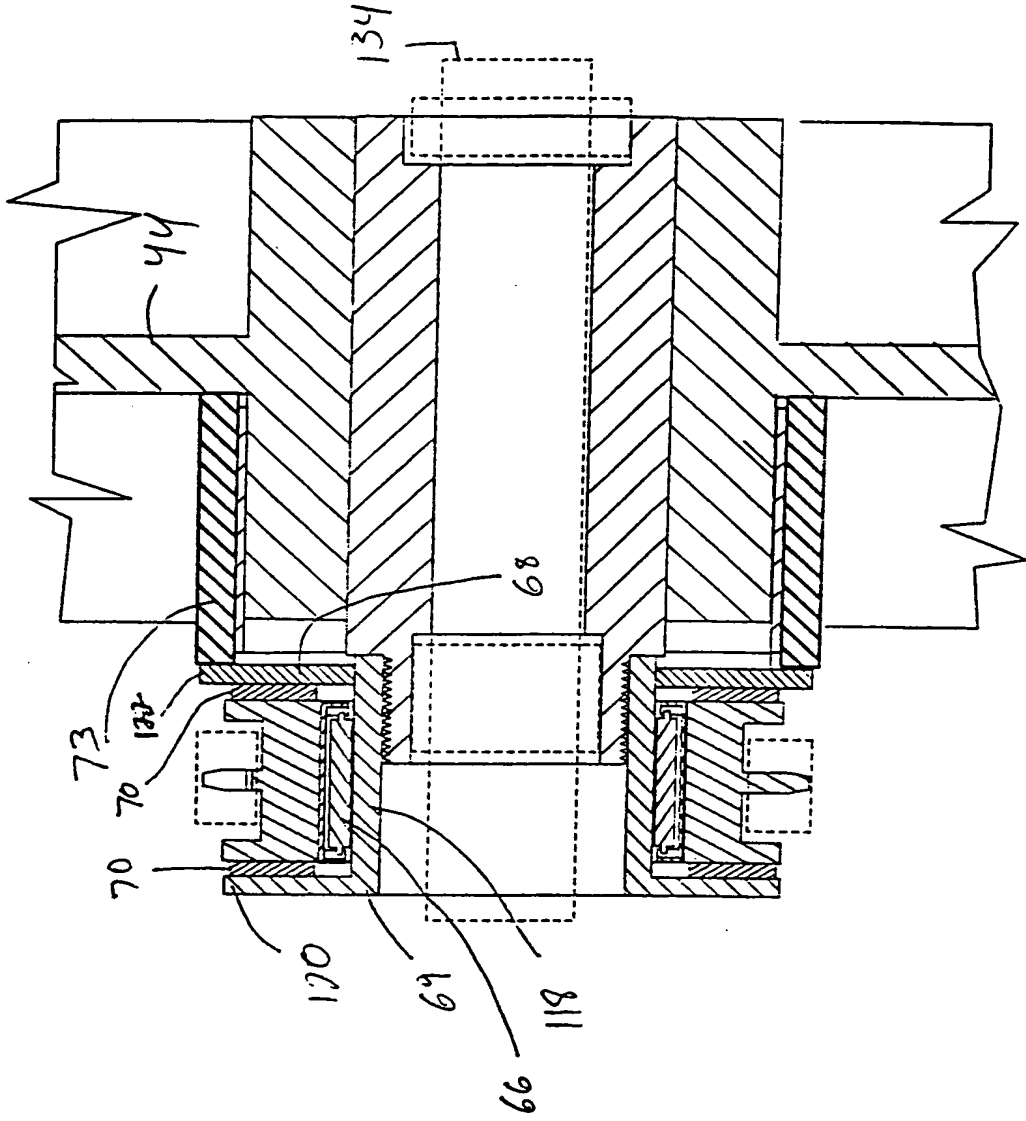


Fig. 5C

FIG. 6

+

5/23

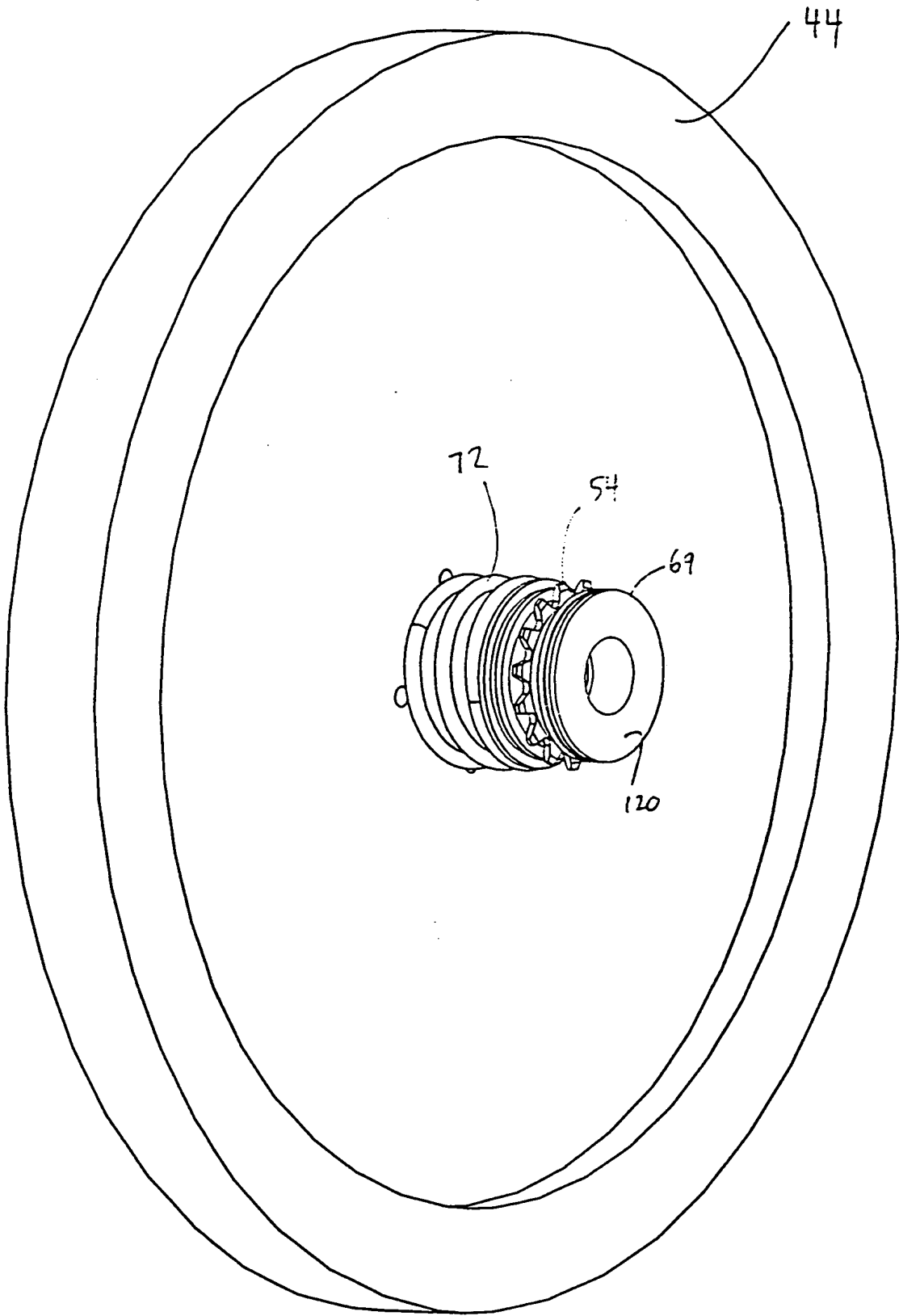


Fig. 6

⊥



6/23

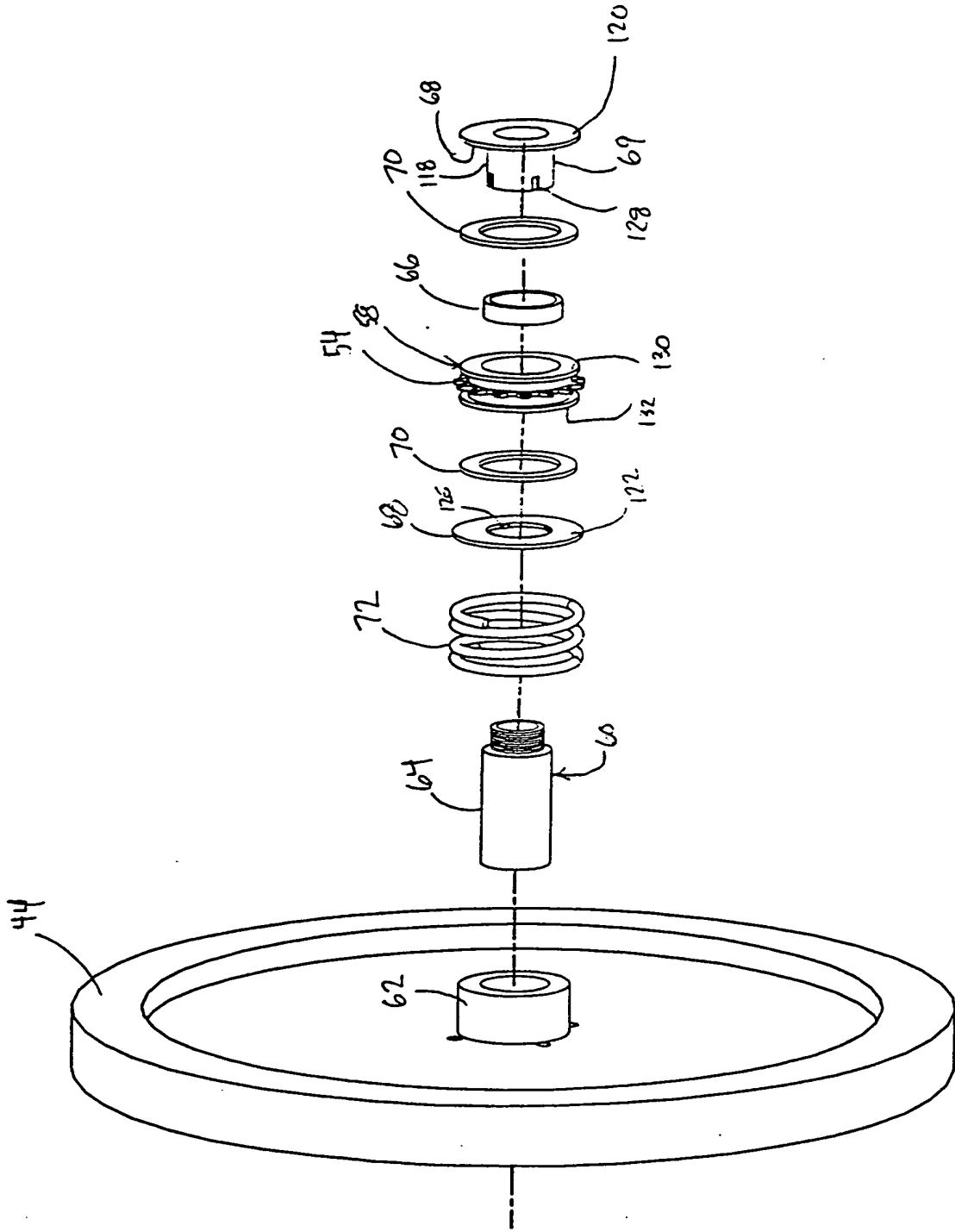


Fig. 7



+

7/23

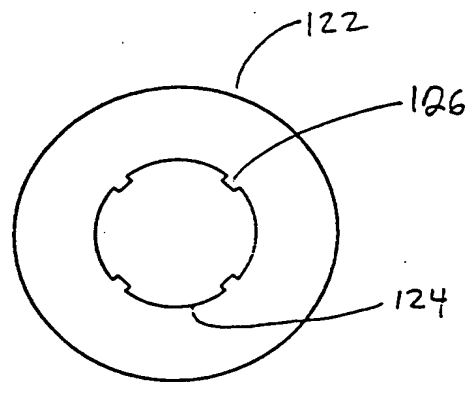


Fig. 8

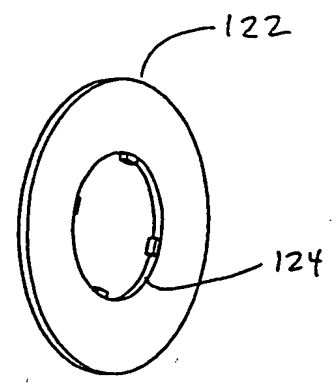


Fig. 9

FOUO 069080

⊥

+

8/23

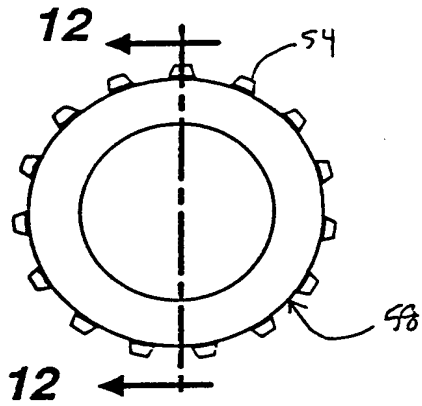


Fig. 10

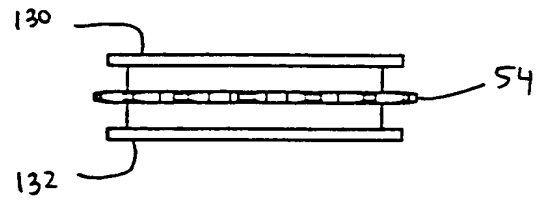


Fig. 11

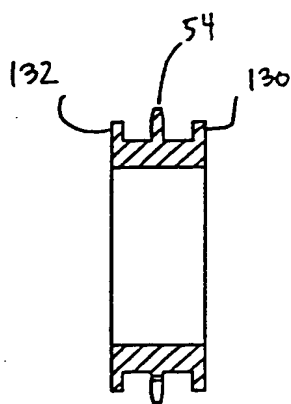


Fig. 12

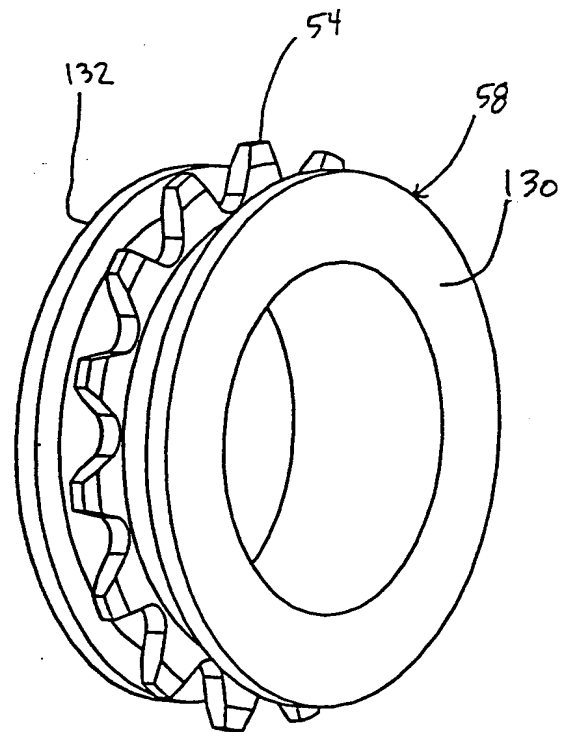


Fig. 13

FIG. 10 OF 2000000

⊥

+

9/23

Fig. 14

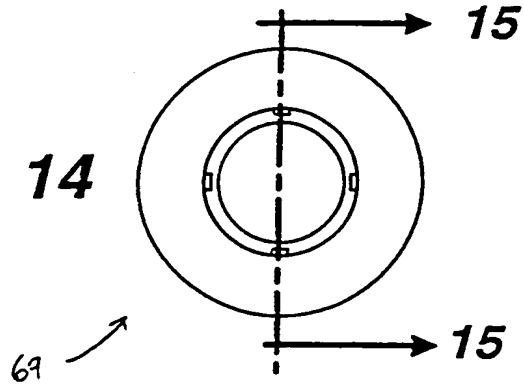


Fig. 15

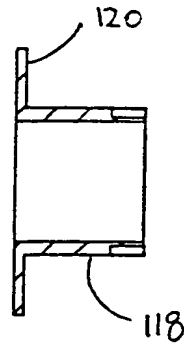
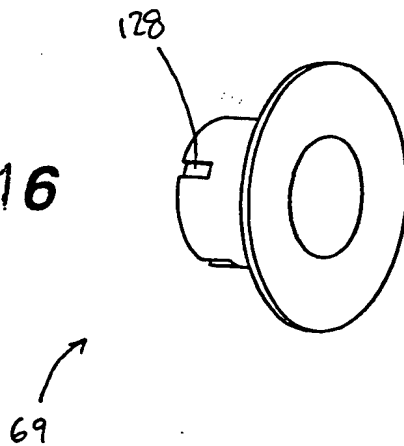


Fig. 16



TOP VIEW

⊥

10/23

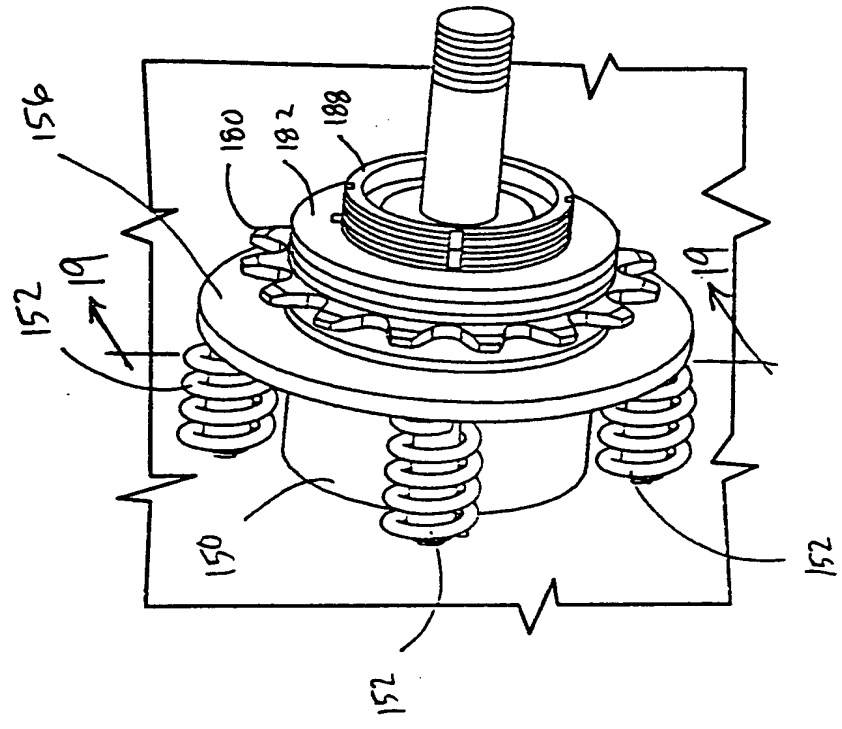


Fig. 18

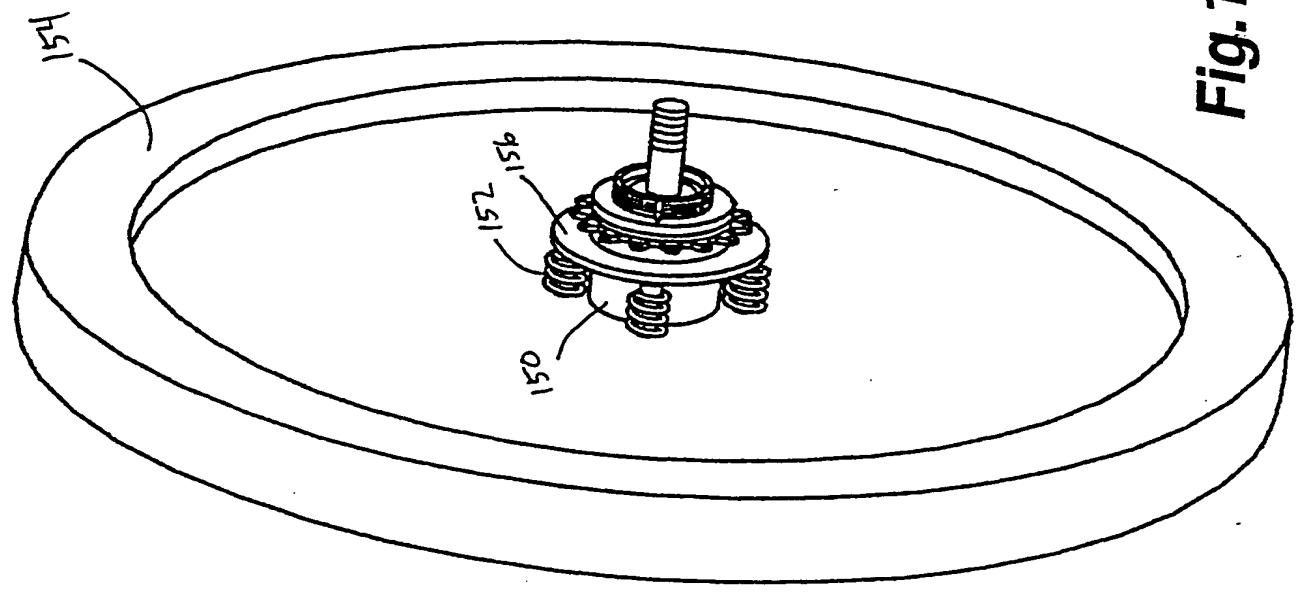


Fig. 17

FORN-063060





11/23

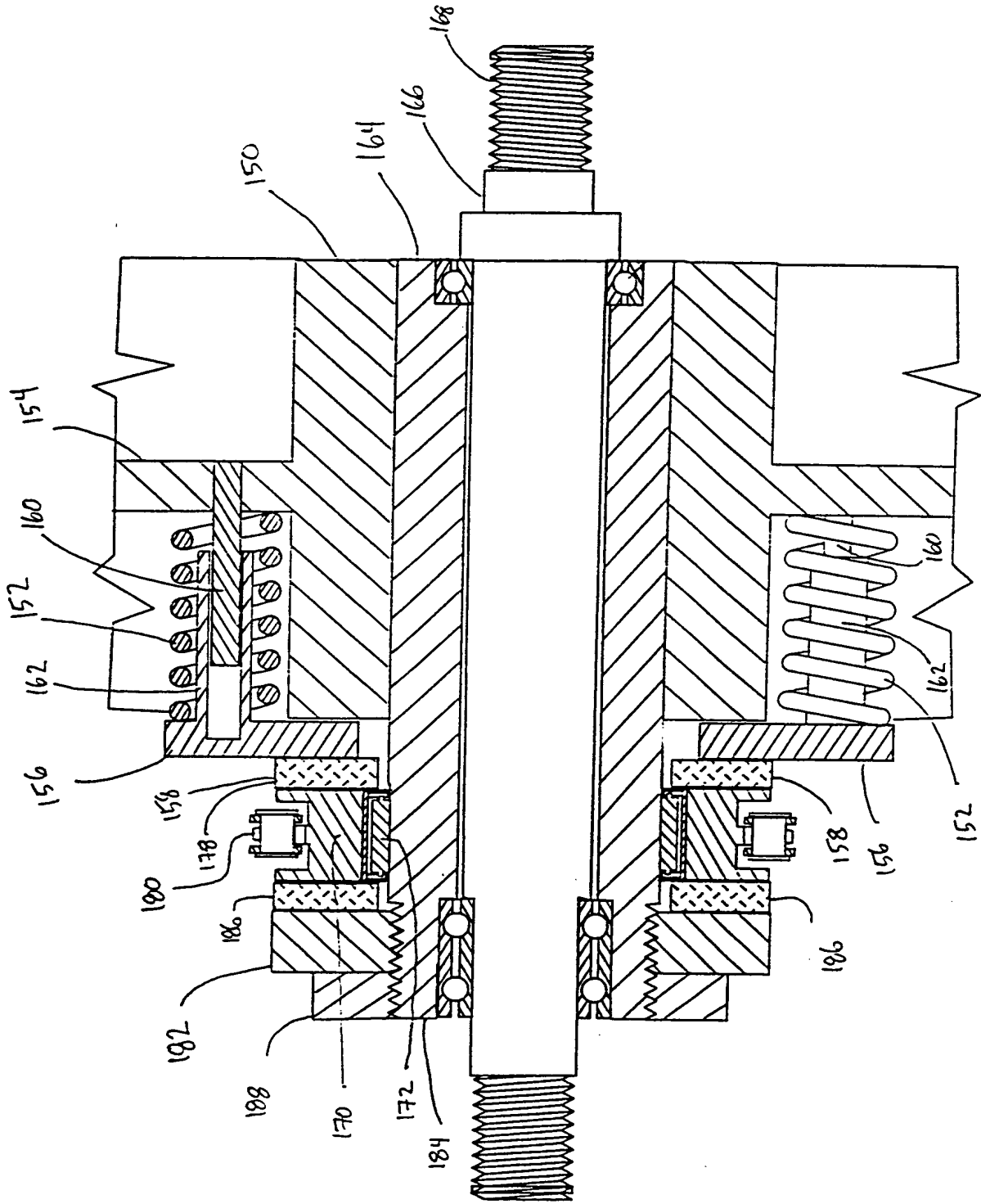


Fig. 19



13/23

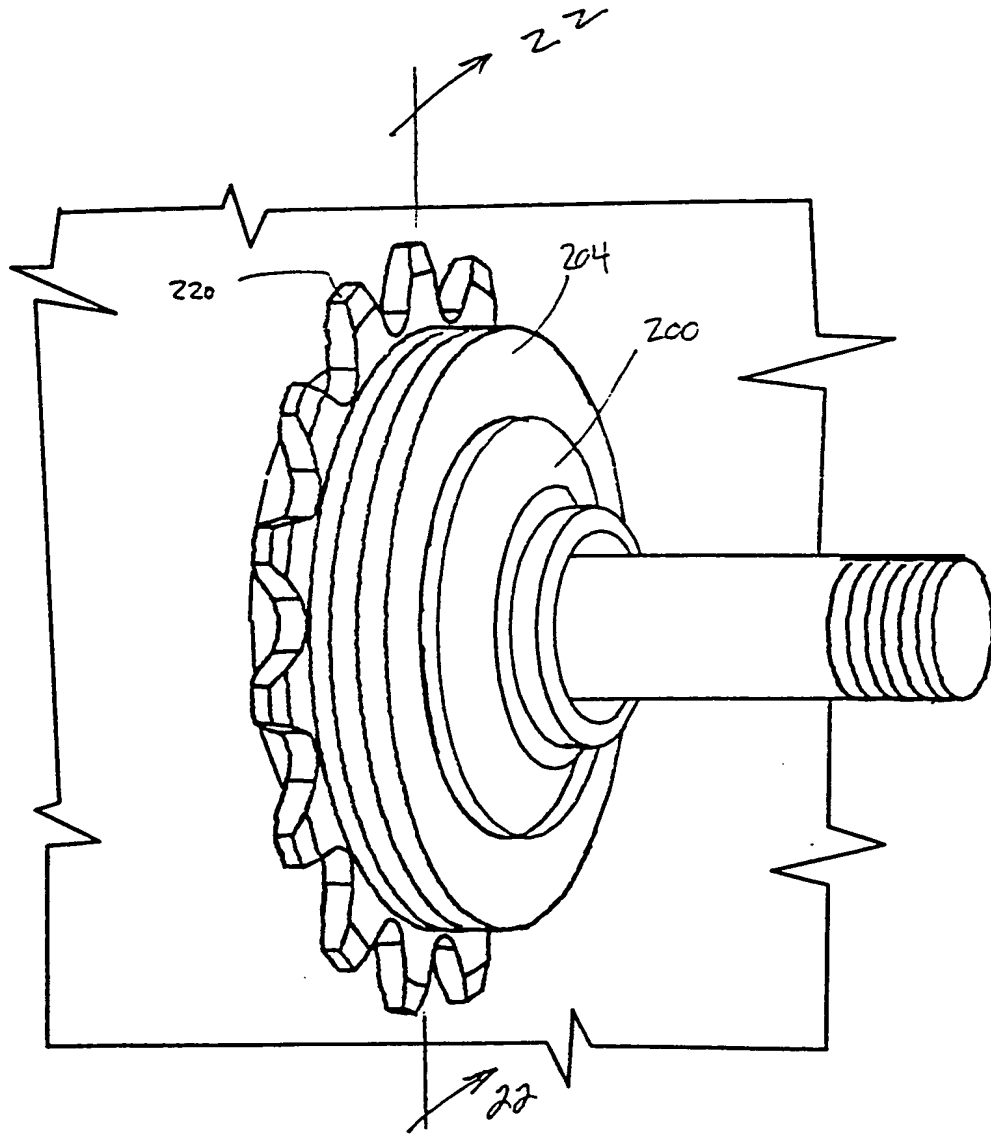


Fig. 21

FILED 06-30-00

FIG. 22

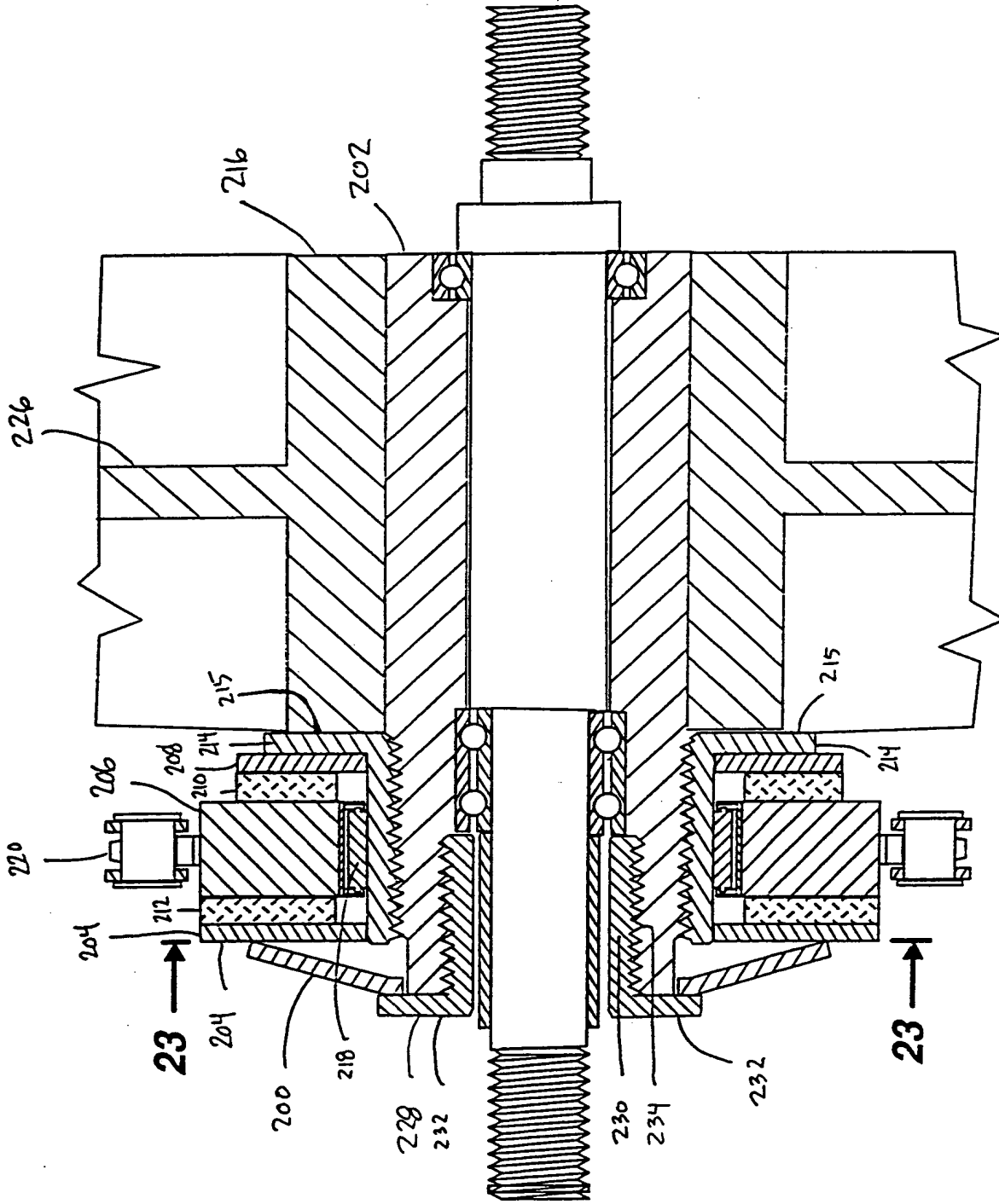


Fig. 22



15/23

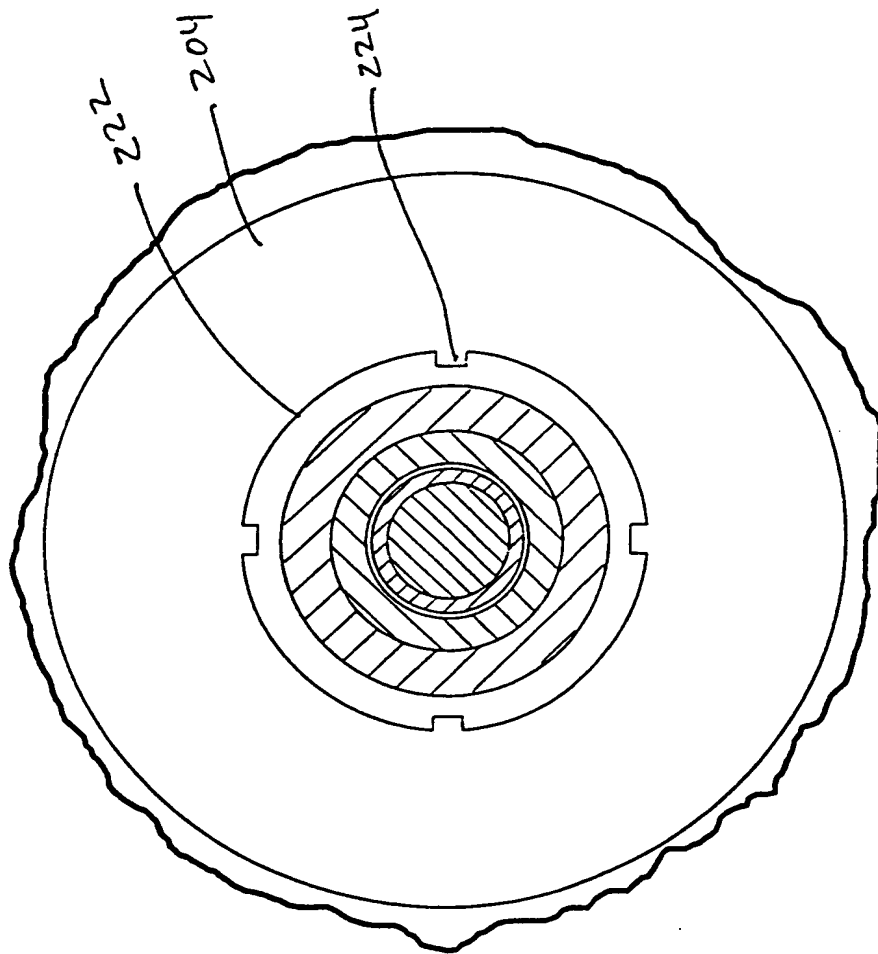


Fig. 23

FIGURE 23

+

16/23

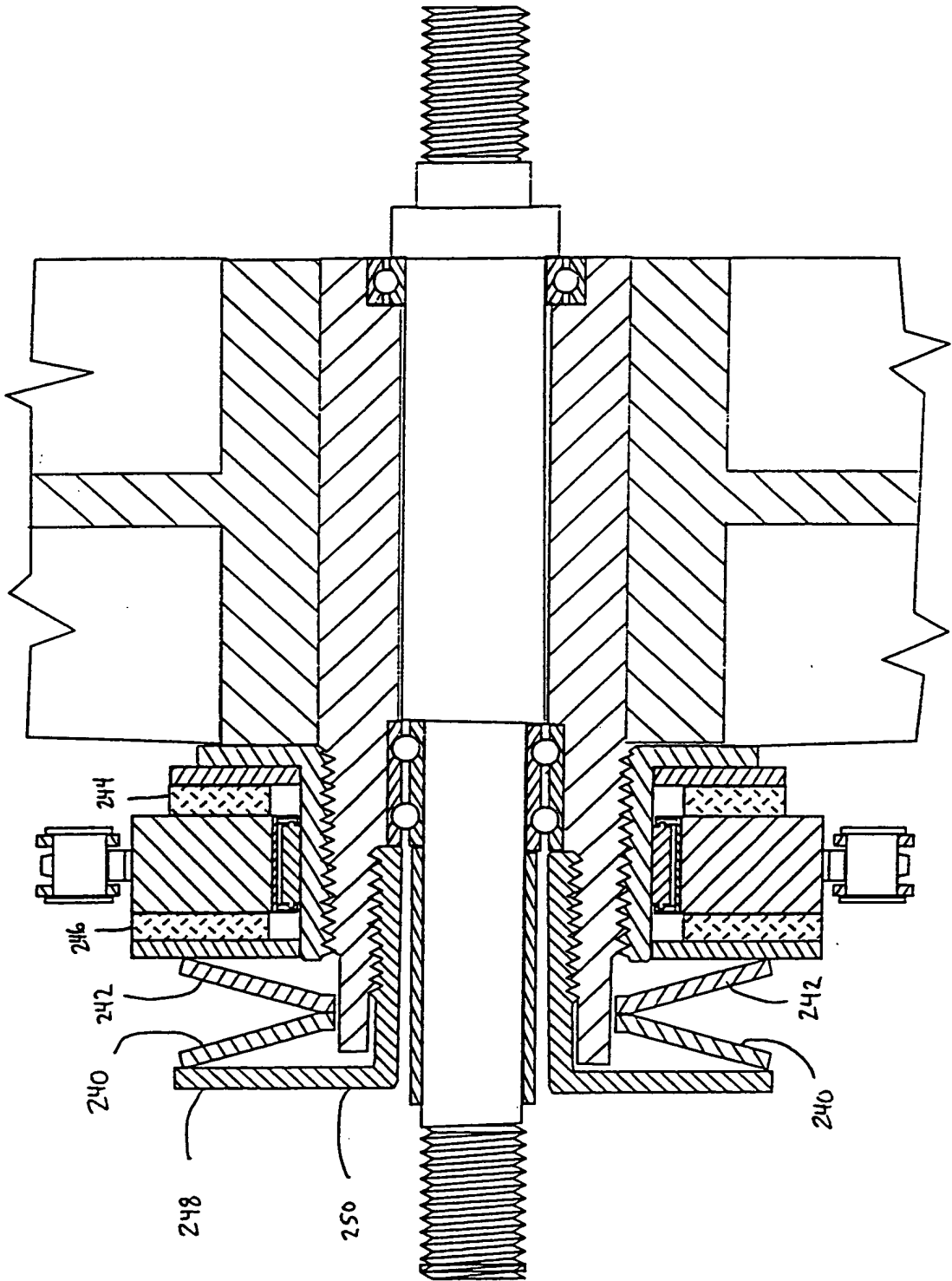


Fig. 24

+

FOOTNOTES



18/23

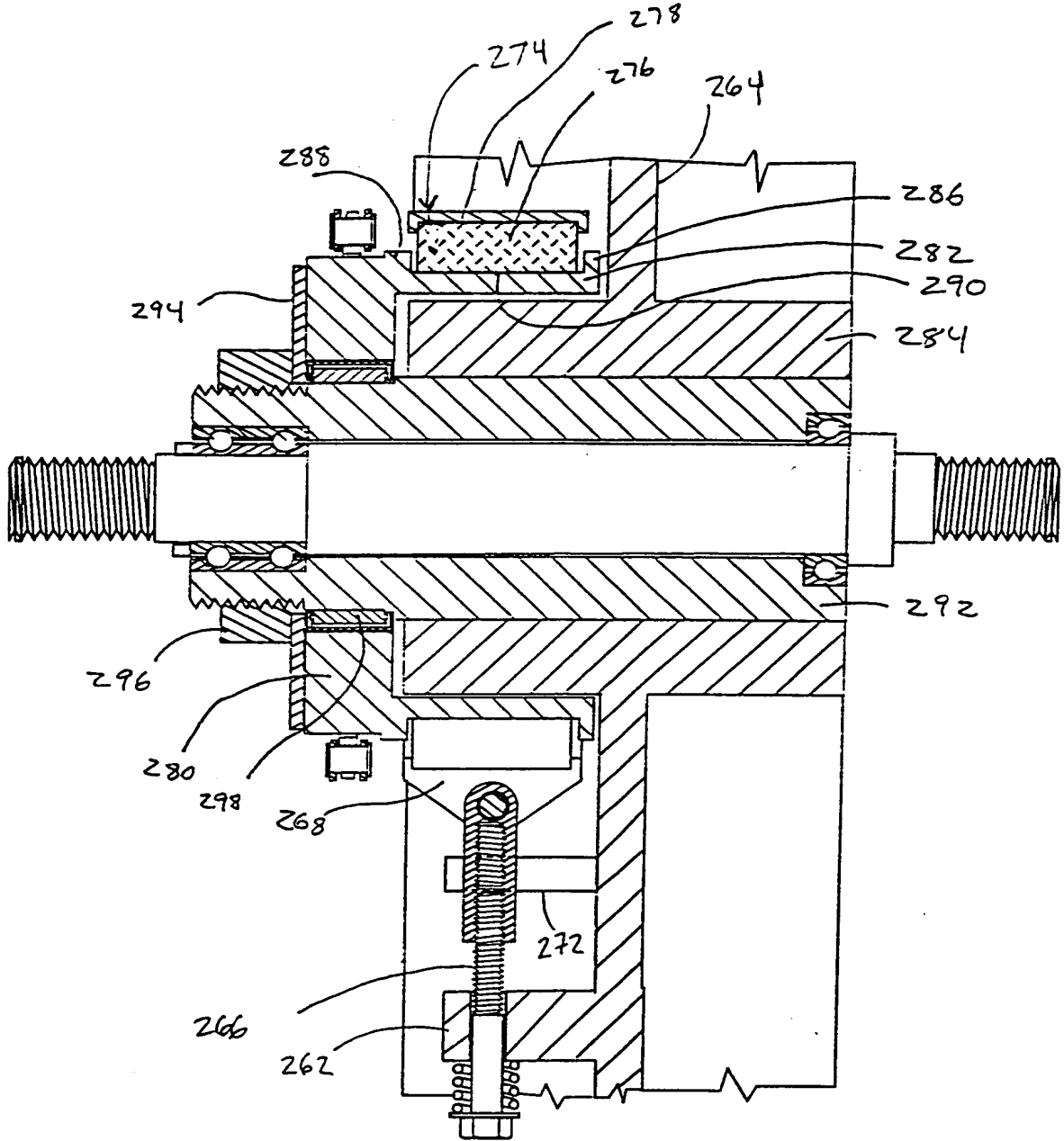


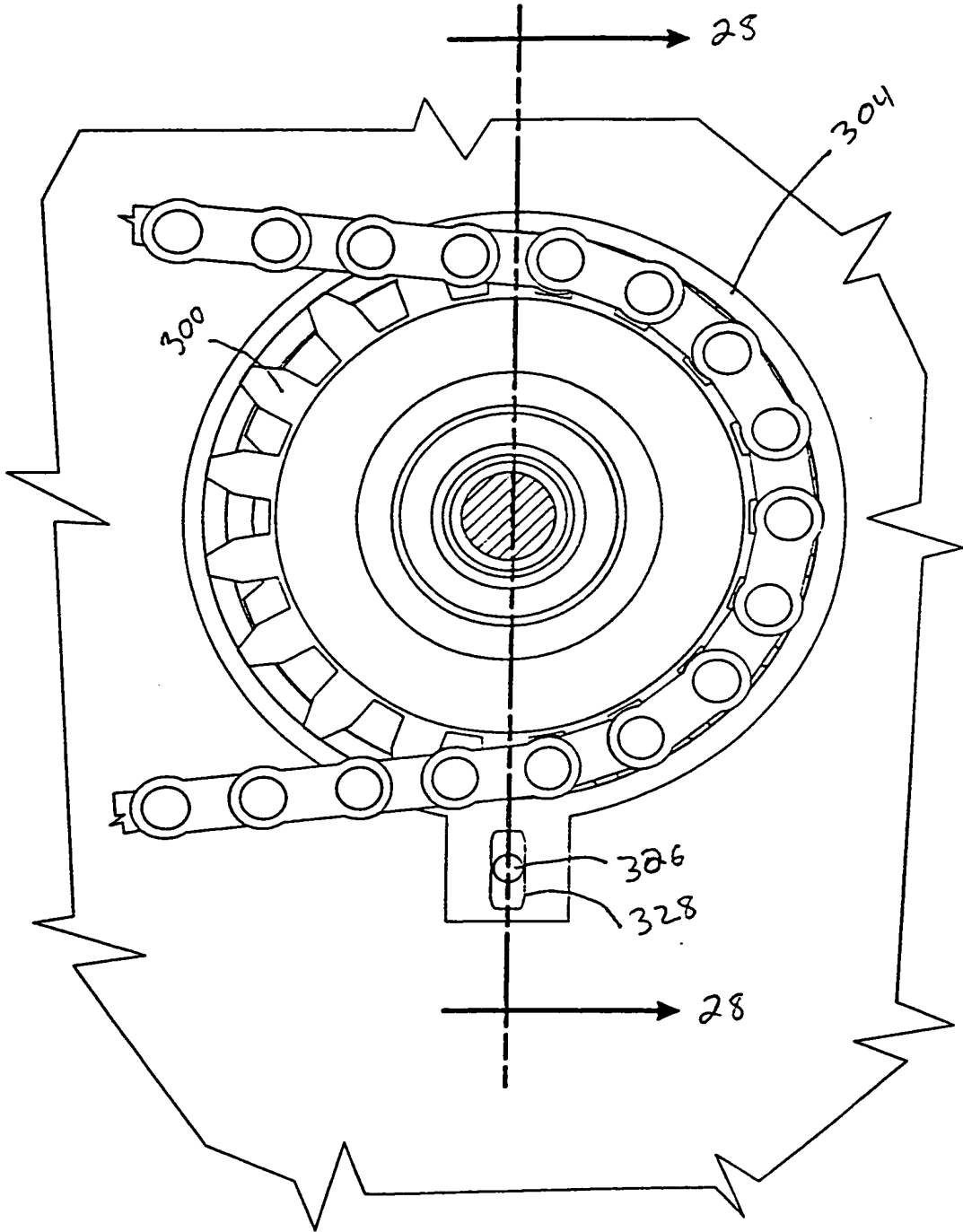
FIG. 26

Fig. 26



+

19/23



FILED IN

Fig. 27

1

FIGURE 23

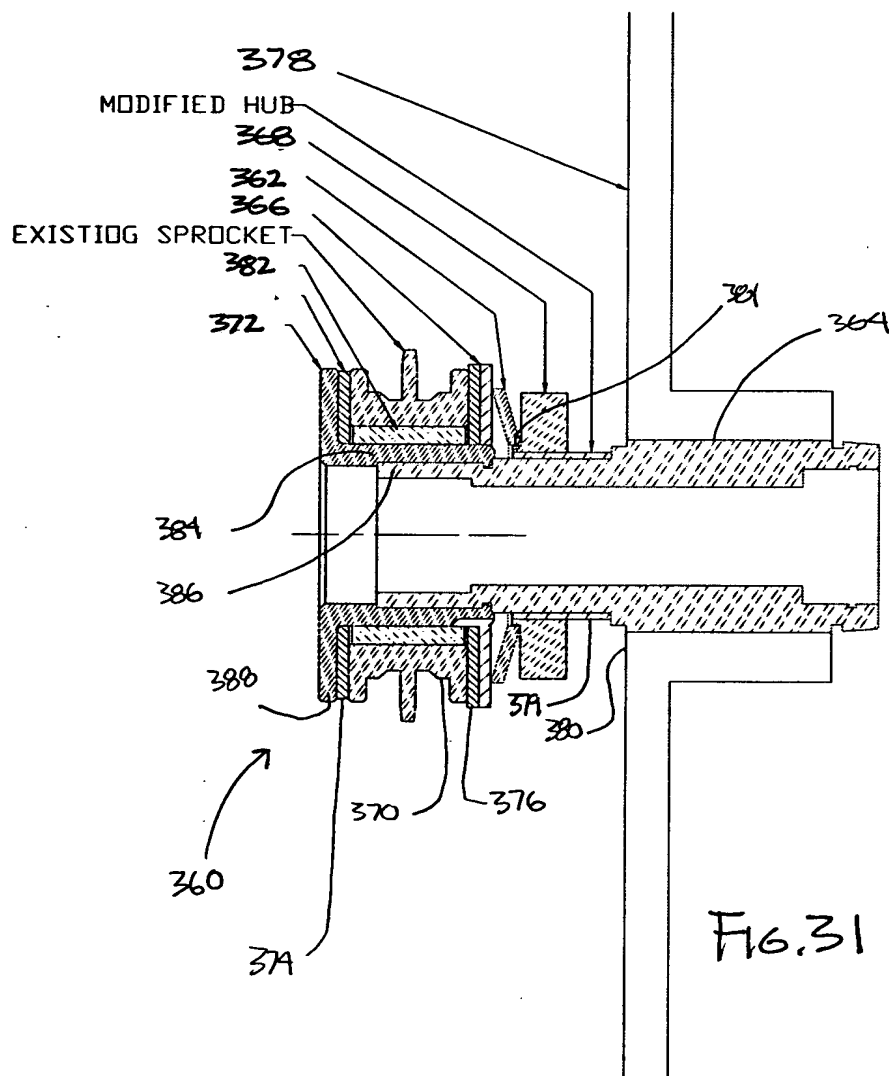


FIG. 31